

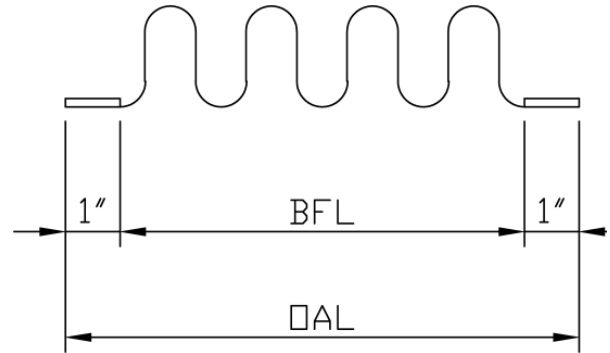
SINGLE AND MULTI-PLY STAINLESS STEEL

300 PSIG

321 S.S. Bellows with Welding Aide
 Monel® and Inconel® available on request.

Notes:

1. Pressure Range: Vacuum to 300 PSIG.
2. Temperature Range: -20 °F to 800 °F.
3. Rated cycle life is 3,000 cycles per EJMA for any one tabulated movement.
4. Maximum axial extension movement is 50% of the tabulated axial movement.
5. Rated extension movement is equal to rated axial movement provided the bellows is pre-compressed the amount of design extension.
6. Maximum test pressure: 1.5 x design pressure
7. Materials: Bellows - ASTM A240-T321SS
 Welding Aides - ASTM A240-T321SS
8. Flanges or welds ends can be attached to the bellows 1/16" thk (min.) Welding Aide.



ND (in.)	PART NUMBER	MAX. AXIAL MOVEMENT (in.)	MAX. LATERAL MOVEMENT (in.)	MAX. ANGULAR MOVEMENT (deg.)	B.F.I. (in.)	NUMBER OF CORRUGATIONS	O.A.L. (in.)	WEIGHT EACH (lb.)	AXIAL SPRING RATE (lb./in.)	LATERAL SPRING RATE (lb./in.)	ANGULAR SPRING RATE (in./lb./deg.)
3/4	S007300C	0.23	0.10	10	1.63	7	2.38	0.07	1607	1394	13
	L007300C	0.35	0.25	10	2.38	11	3.13	0.09	1025	358	13
1	S010300C	0.29	0.12	10	1.94	8	2.69	0.13	1387	1647	13
	L010300C	0.43	0.27	10	2.75	12	3.50	0.17	1226	487	13
1 1/2	S015300C	0.35	0.13	10	2.38	10	3.13	0.22	2279	2733	13
	L015300C	0.51	0.29	10	4.06	15	4.81	0.29	1518	806	13
2	US-2-8-300S	0.32	0.12	10	3.00	8	5.00	0.60	2511	3022	40
	US-2-12-300L	0.48	0.27	10	4.50	12	6.50	1.00	693	462	14
2 1/2	US-2.5-8-300S	0.77	0.30	10	4.00	8	6.00	2.00	1441	1471	53
	US-2.5-12-300L	0.89	0.52	10	6.00	12	8.00	3.00	961	436	35
3	US-3-8-300S	0.57	0.19	10	4.00	8	6.00	2.00	4230	6345	148
	US-3-12-300L	0.85	0.42	10	6.00	12	8.00	3.00	2820	1880	98
4	US-4-8-300S	0.77	0.20	10	4.00	8	6.00	4.00	2573	6336	147
	US-4-12-300L	1.16	0.45	10	6.00	12	8.00	4.50	1715	1877	98
5	US-5-8-300S	0.74	0.16	10	4.00	8	6.00	4.00	3217	11536	268
	US-5-12-300L	1.11	0.36	10	6.00	12	8.00	4.50	2144	3418	179
6	US-6-8-300S	0.84	0.15	10	4.00	8	6.00	6.30	2809	14080	328
	US-6-12-300L	1.26	0.34	10	6.00	12	8.00	7.50	1872	4172	218
8	US-8-8-300S	0.82	0.11	10	4.00	8	6.00	7.50	3697	30059	700
	US-8-12-300L	1.23	0.26	10	6.00	12	8.00	10.00	2465	8906	466
10	US-10-8-300S	1.52	0.38	10	9.00	8	11.00	23.00	6274	20302	1890
	US-10-12-300L	2.28	0.87	10	13.50	12	15.50	34.00	4183	6015	1260
12	US-12-8-300S	1.57	0.33	10	9.00	8	11.00	40.00	7424	26948	3175
	US-12-12-300L	2.36	0.76	10	13.50	12	15.50	56.00	4950	7985	2116
14	US-14-8-300S	1.55	0.30	10	9.00	8	11.00	45.00	8185	35251	4153
	US-14-12-300L	2.32	0.68	10	13.50	12	15.50	62.00	5457	10445	2769
16	US-16-8-300S	1.53	0.26	10	9.00	8	11.00	51.00	9403	51812	6104
	US-16-12-300L	2.30	0.60	10	13.50	12	15.50	71.00	6268	15352	4069
18	US-18-8-300S	1.53	0.23	9	9.00	8	11.00	55.00	10621	72883	8586
	US-18-12-300L	2.29	0.53	10	13.50	12	15.50	80.00	7081	21595	5724
20	US-20-8-300S	1.51	0.21	8	9.00	8	11.00	60.00	11839	99004	11664
	US-20-12-300L	2.27	0.48	10	13.50	12	15.50	89.00	7893	29335	7776
22	US-22-8-300S	1.40	0.16	6	8.00	8	10.00	60.00	9507	121742	17434
	US-22-12-300L	2.11	0.36	10	12.00	12	14.00	89.00	6338	36072	11623
24	US-24-8-300S	1.60	0.15	6.85	8.00	8	10.00	80.00	10396	156893	14604
	US-24-12-300L	2.41	0.35	10	12.00	12	14.00	112.00	6931	46487	9736

EXPANSIONJOINTS.XLS-09/07/09